



Precast Panel Support and Restraint Systems

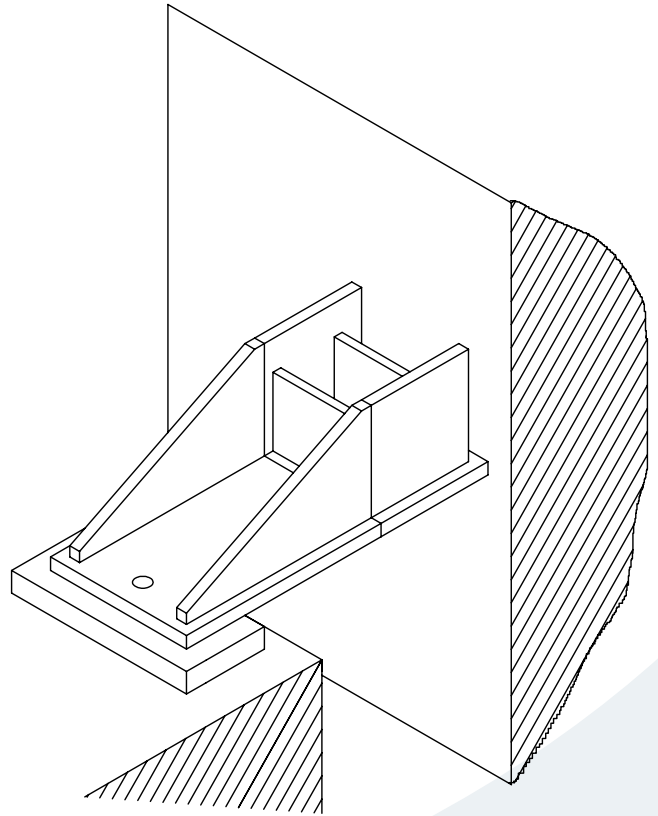
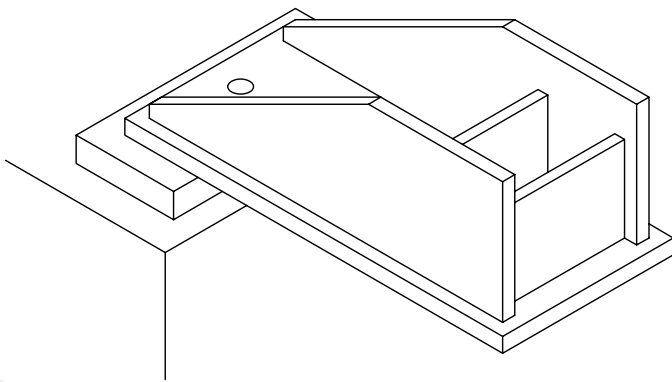
Contents

Panel Support Shoe System	10-3
Angle Cleats to Support Panels	10-5
CFS Design Support	10-6

Panel Support Shoe System

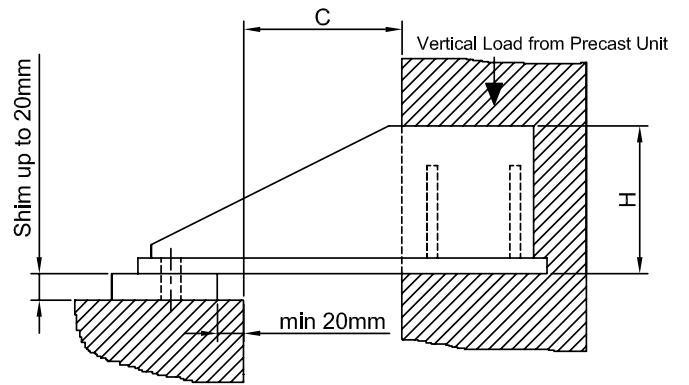
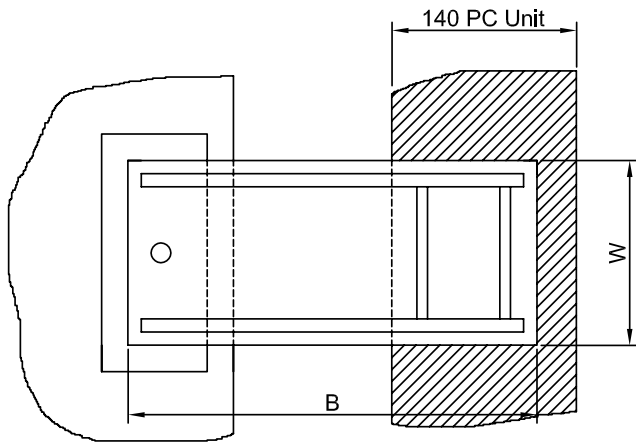
CFS have developed an innovative solution to panel support which are cost effective and make optimal use of material.

Our shoe system is designed to be cast in to the concrete panel and produced in a range of projections to suit different cavity widths.



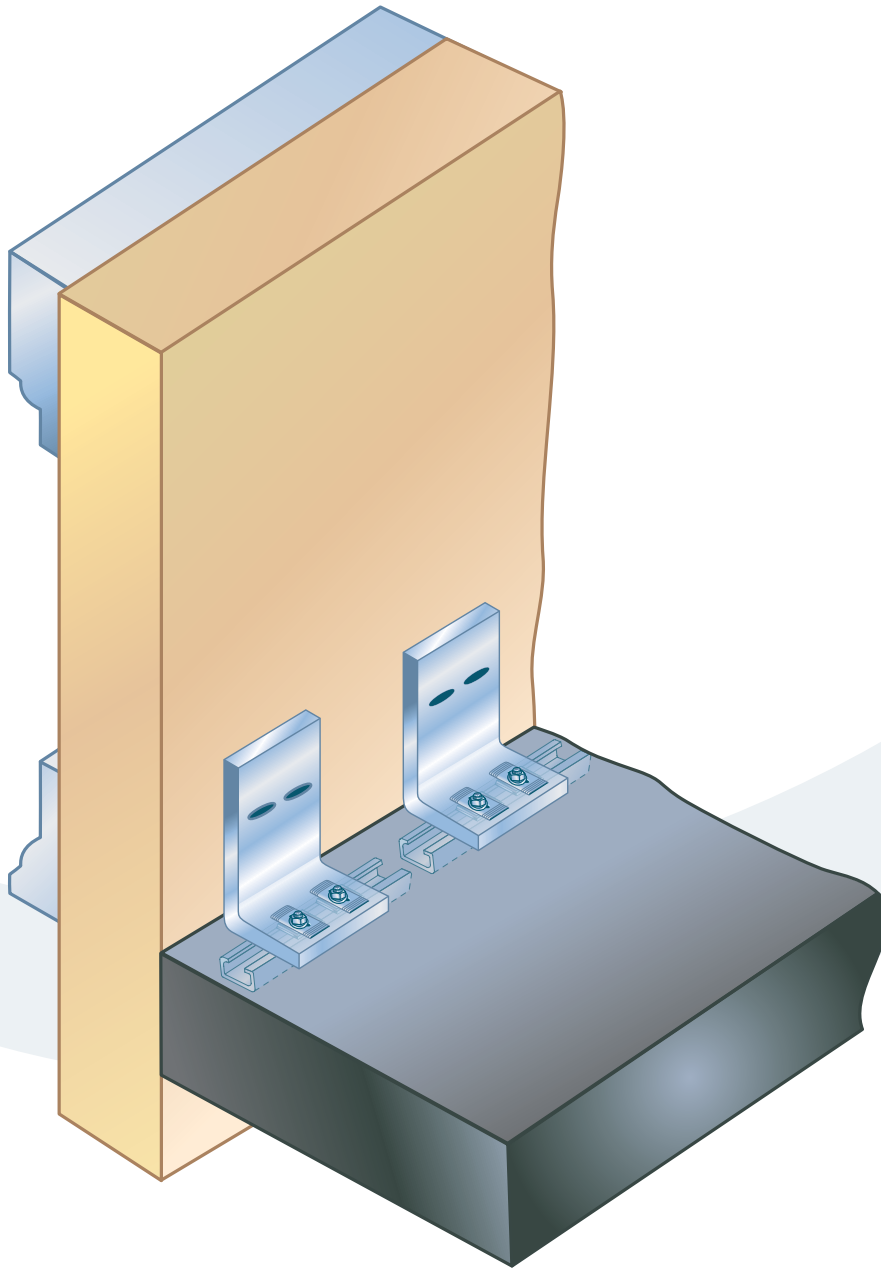
Part No	Working Load kN	Dimensions			
		Cavity			
		C	B	W	H
		mm			
CFS-SB25-250	25	60	250	100	78
CFS-SB25-310	25	120	310	100	90
CFS-SB45-250	45	60	250	130	92
CFS-SB45-310	45	120	310	140	112
CFS-SB60-250	60	60	250	140	95
CFS-SB60-310	60	120	310	190	115

CFS can design and produce these brackets for other cavities and working loads. Please contact CFS with your precise requirements and we will prepare specific calculations.



PRECAST PANEL SUPPORT AND RESTRAINT SYSTEMS

Angle Cleats to Support Panels



Available in stainless steel or hot dip galvanised.
Dimensions to suit your requirements with precision
cut slots or serrated patches. Fixed with cast-in
channels, cast-in sockets or drill and fixed.
Provides three-dimensional adjustment on site.

CFS Design Support

CFS can help you with Autocad design to produce the most economical user friendly design to suite your application. We can analyse your loads to select the correct channel profile. Precast brackets designs can also be optimised, taking in to account your façade dead and wind loads. Fischer drill fixing applications are calculated utilising the Compufix Software programme.

Available in either painted mild steel, hot dip galvanised and stainless steel.

Brackets are produced to short lead times. CFS will work closely with your production team to assemble complete fixings assemblies including associated isolators, set screws and bolts.



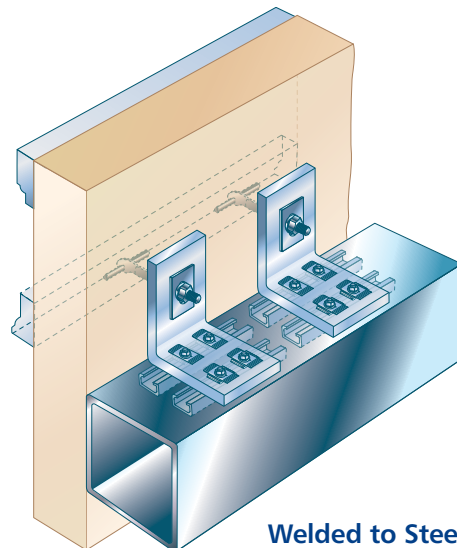
Alternative Bracket Fixing Methods

Plain back channels are available for welding or bolting to structural steelwork. The maximum length of channels available is 3.0 m length up to 3.0 meters can be cut to suit your requirements.

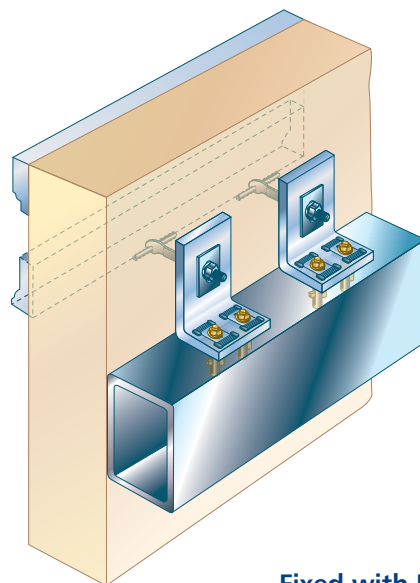


Fixed to Steel Structure with Blind Bolts

CFS can provide 'Blind Bolt' fixings. There are ideal for situations where you may be connecting to an enclosed steel section or those which have difficult access. Available electroplated stainless steel finishes.



Welded to Steel Sections



Fixed with Blind Bolts