



GRC Product Range



Lifting and Fixing

CFS has considerable experience in supplying specialist lifting and fixing details for the GRC industry. Products are available for lifting, fixing support and restraining GRC.

CFS is the dedicated construction partner for bigHead® who have the following dedicated range for GRC.

What are the benefits of bigHead® designs?

- The unique bigHead® design allows GRC panels to be as thin and light as possible with no additional material required for fixing the bigHead® “anchors”
- bigHead®’s are inserted into the GRC material during the manufacturing process, removing secondary fixing processes, saving assembly time and preventing on-site assembly mistakes
- bigHead®’s are discrete, being only visible from one side
- bigHead®’s are corrosion resistant, made of 316 grade stainless steel
- bigHead®’s withstand very high loads
- bigHead® design versatility maximises GRC design freedom without compromising strength or quality



Standard Size Range

Thread size	Anchor depths available (mm)	
M6	10	20
M8	10	20
M10	10	20

*Other lengths available to order

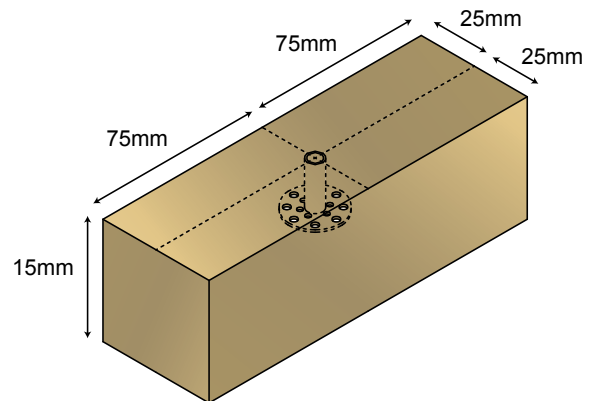
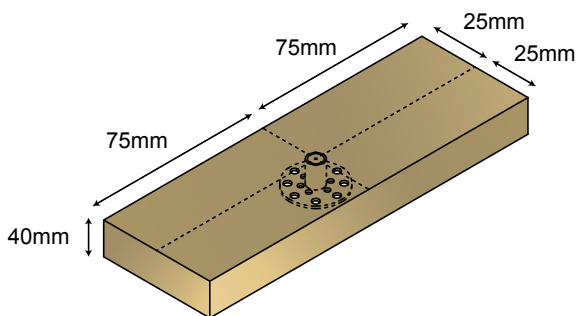
Technical Data

Based upon GRC quality Grade 8

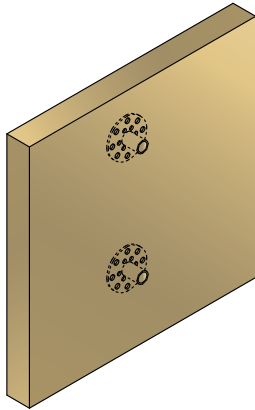
Thickness	Tension	Shear
15mm	0.25kN	0.4kN
40mm	1.0kN	1.25kN

For single bigHead® fixings M6 x 10 loads derived with a 4.5:1 factor of safety. Users should check that fixing screws used have adequate shear, tension and bending capacity.

Minimum edge distance for loads above

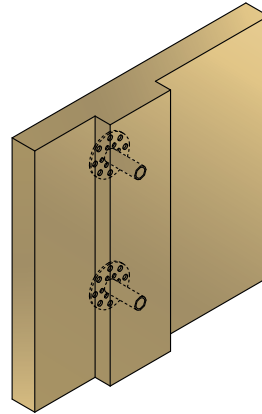


M6 / M8 / M10



**10mm:
Thin sections**

M6 / M8 / M10



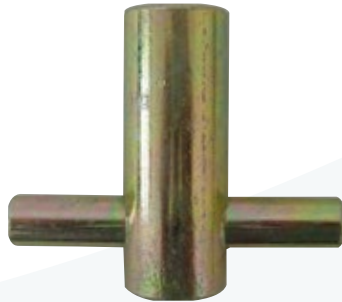
**20mm:
Within taller
stiffening ribs**

Typical Applications

Solid Sockets C/W Crosspin

For use in high load applications please consult CFS.

M12 and M16 sizes available



Cast In Channels

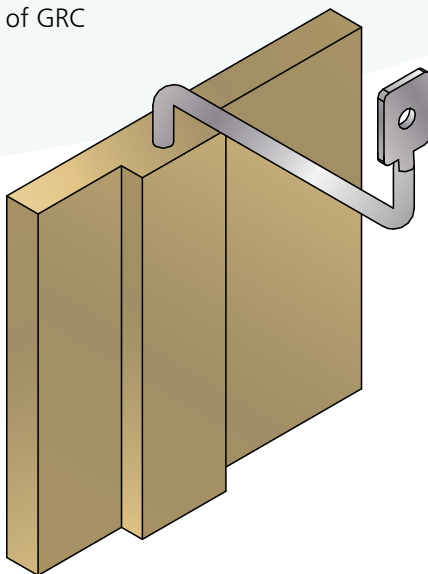
Available with shallow anchors to suit GRC sections



Shallow depth

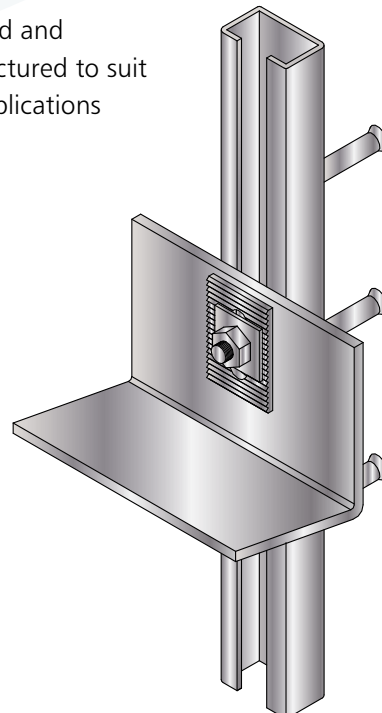
Flex Anchors Restraint

To accommodate thermal movement of GRC

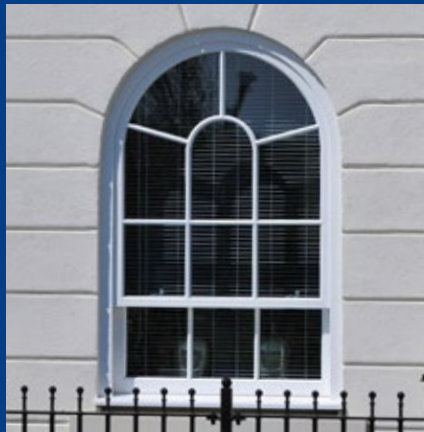


Support Brackets & Framing Systems

Designed and manufactured to suit your applications



Please consult CFS for loads for your particular application



Construction Fixing Systems Limited

Unit 2A, Westfield Estate, Henley Road,
Medmenham, Marlow, Buckinghamshire SL7 2TA

Telephone: **+44 (0) 1491 576466**

Fax: **+44 (0) 1491 578166**

Email: **sales@cfs-fixings.co.uk**

www.cfsfixings.com

